

FoxUV™ 350nm LED TO-18 Glass Ball Lens FG350-TO18BL010



FEATURES AND APPLICATIONS

- Low UVA wavelength, highly consistent
- HVPE epitaxy process, patent protected, unique in the industry
- UV lamps for industrial curing applications and medical/biomedical uses

SPECIFICATIONS

Absolute Maximum Rating (Ta = 25°C)

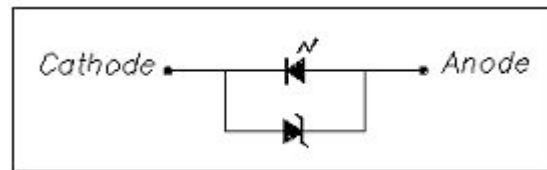
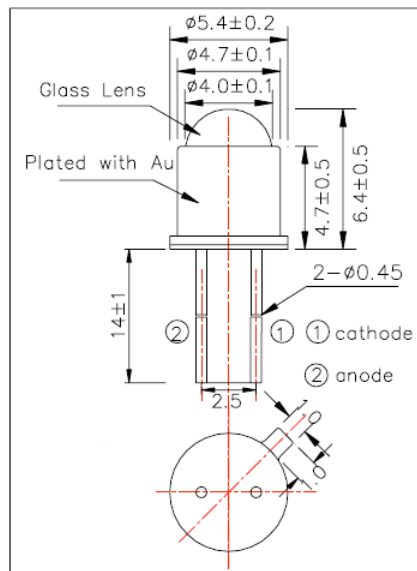
Item	Symbol	Maximum Rating	Unit
DC Forward Current	I_f	30	mA
Pulse Forward Current*	I_{fp}	80	mA
Reverse Current	I_{Rz}	200	mA
Operating Temperature	T_{opr}	-20 to +80	°C
Storage Temperature	T_{stg}	-40 to +100	°C

*Condition: Duty Cycle: 1/10, Pulse Width: 10msec

Optical and Electrical Characteristics (Ta = 25°C)

Item	Symbol	Condition	Min	Typ.	Max	unit
Forward Voltage	V_f	$I_f=20mA$	3.6	4.3	5.0	V
Reverse Voltage	V_{Rz}	$I_R=5mA$	0.7	0.9	1.5	V
Peak Wavelength	λ_p	$I_f=20mA$	350	352	354	nm
Viewing Angle		$I_f=20mA$	-	10	-	deg.
Output Power/Flux	P_o	$I_f=20mA$	50	100	200	μW

LED Dimensions (typical)



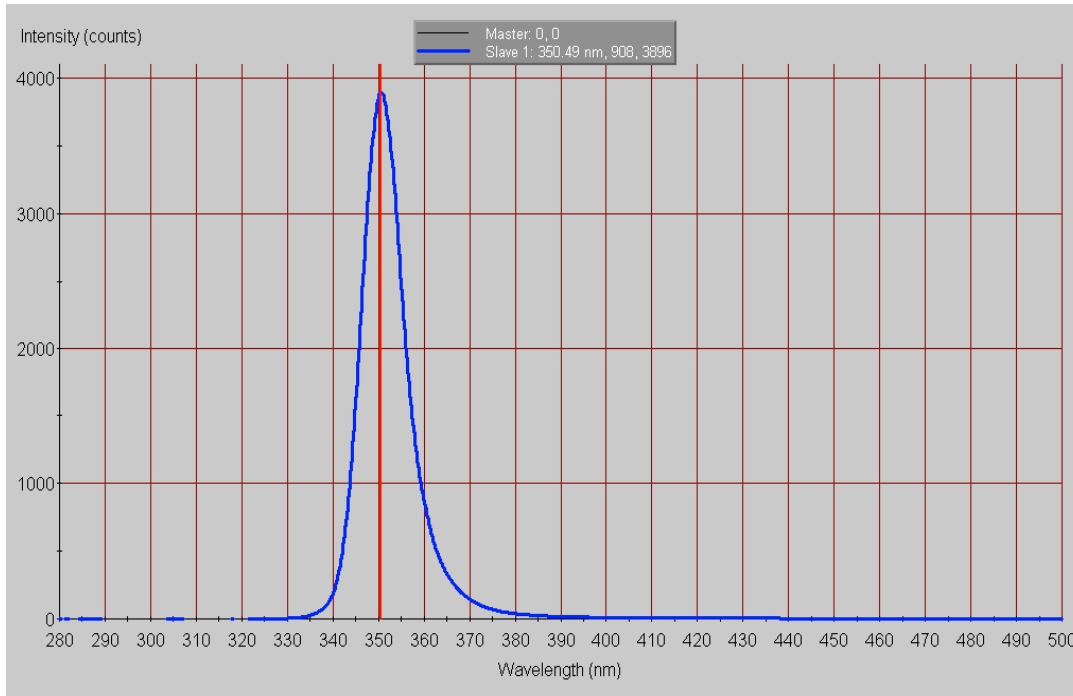
- TO-18 stem type mount
- Glass ball lens
- 5° viewing half angle
- Covered and hermetically sealed
- Zener diode protection

Rev. E, Jan. 2014

FoxUV™ 350nm LED TO-18 Glass Ball Lens FG350-TO18BL010



Typical Spectrum



Warnings and Handling Instructions

- UV LEDs emit intense but mainly invisible ultraviolet radiation when in operation, which may be harmful to eyes, even for brief periods.
- *** DO NOT LOOK DIRECTLY INTO THE UV LED DURING OPERATION ***
- *** BE SURE THAT YOU AND ALL PERSONS IN THE VICINITY WEAR SAFETY GOGGLES THAT PROVIDE SUITABLE UV PROTECTION WHEN A UV LED IS OPERATING ***
- *** KEEP CHILDREN AWAY FROM THE OPERATING VICINITY ***
- *** KEEP UV LEDs OUT OF THE REACH OF CHILDREN ***
- If you incorporate a UV LED into a product, be sure to provide appropriate cautionary labels and instructions.
- Please follow all standard procedures for storing, handling, cleaning, mounting, soldering, disposal, or otherwise handling LED dies or packaged LEDs, including static electricity protection.

Rev. E, Jan. 2014

The Fox Group, Inc.
54 Jennie Dade Lane Sperryville VA 22740
Tel: (540) 987-8271 Fax: (540) 987-9444 sales@thefoxgroupinc.com